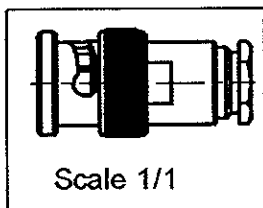
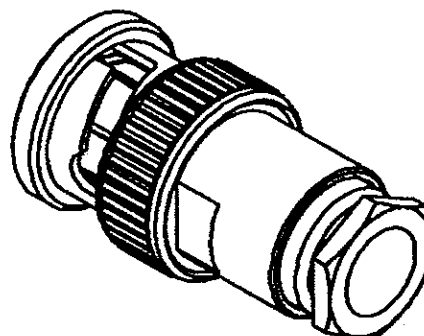
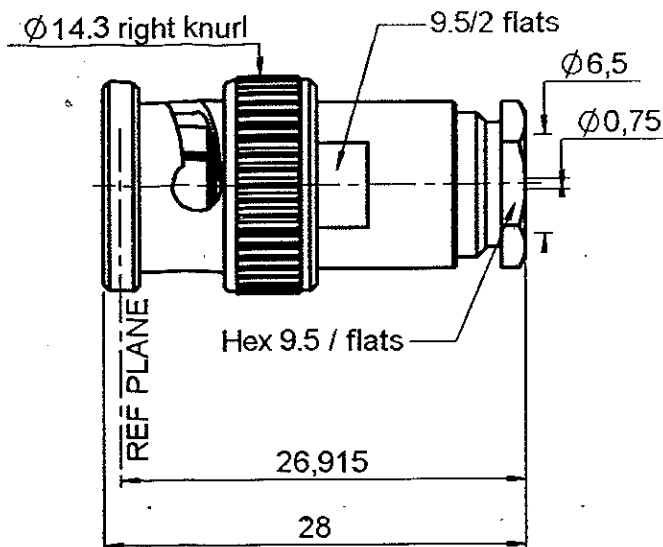


STRAIGHT PLUG CLAMP TYPE

R142.016.161

CABLE 6/75+93

Series : BNC 75-COM



All dimensions are in mm.

COMPONENTS	MATERIALS	PLATING
BODY	BRASS	NICKEL 2 µm
CENTRE CONTACT	BRASS	GOLD 0.2 OVER NICKEL 2 µm
OUTER CONTACT	-	- µm
INSULATOR	POLYPROPYLENE	
GASKET	SILICONE RUBBER	
OTHERS PARTS	BRASS	NICKEL 2 OVER COPPER 8 µm
-	-	-
-	-	-



Issue : 9904 G

Design changes may be in order to improve the product.

STRAIGHT PLUG CLAMP TYPE

R142.016.161

CABLE 6/75+93

Series : **BNC 75-COM**

ELECTRICAL CHARACTERISTICS

Impedance	75 Ω
Frequency	0-1.5 GHz
VSWR	NA + 0.000 x F(GHz) Maxi
Insertion loss	NA \sqrt{F} (GHz) dB
RF leakage	-(NA - F(GHz)) dB mini
Voltage rating	500 Veff Maxi
Dielectric withstanding voltage	1500 Veff mini
Insulation resistance	5000 M Ω mini

SPECIFICATION

Stripping	a	b	c	d	e	f
mm	2.50	7.00	0.00	0.00	3.00	0.00

Assembly instruction : **Clamp 03**

Recommended cable(s)
 KX 6A
 RG 59

Cable retention
 - pull off **180 N mini**
 - torque **NA N.cm**

MECHANICAL CHARACTERISTICS

Centre contact retention	
Axial force – Mating end	10 N mini
Axial force – Opposite end	10 N mini
Torque	NA N.cm mini

TOOLING

Part Number	Description	Hexagon
.	.	.

Recommended torque	
Mating	NA N.cm
Panel nut	NA N.cm
Clamp nut	150 N.cm
A/F clamp nut	9.500 mm

OTHERS CHARACTERISTICS

Mating life	100 Cycles mini
Weight	0.000 g

ENVIRONMENTAL

Operating temperature	-35/+70 $^{\circ}$ C
Leakage – pressurised only	NA Atm.cm ³ /s
Hermetic seal	NA Mpa



Issue : 9904 G

Design changes may be in order to improve the product.