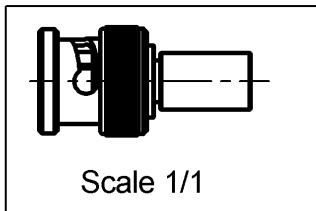
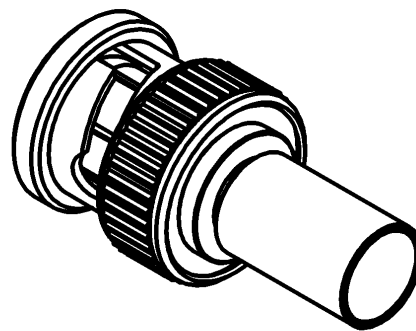
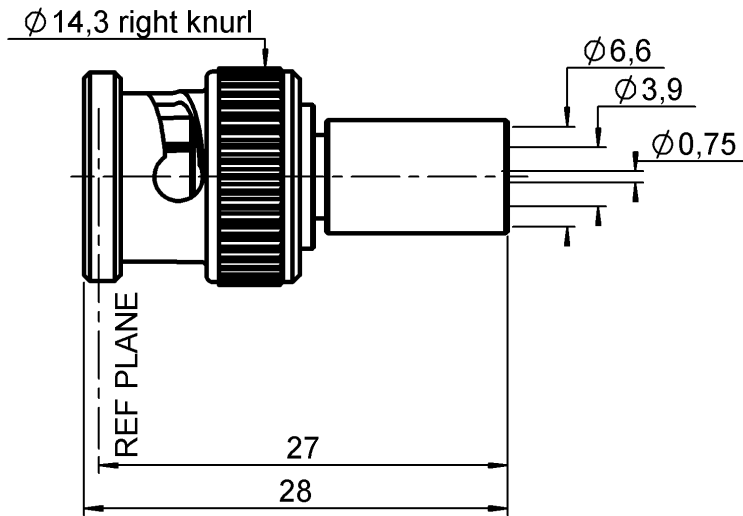


STRAIGHT PLUG CRIMP TYPE

CABLE 6/75+93

R142.085.161

Series : **BNC 75-COM**



All dimensions are in mm.



COMPONENTS	MATERIALS	PLATING (µm)
BODY	BRASS	NICKEL 2
CENTER CONTACT	BRASS	GOLD 0.2 OVER NICKEL 2
OUTER CONTACT	-	-
INSULATOR	POLYPROPYLENE	-
GASKET	SILICONE RUBBER	-
OTHERS PARTS	ZINC ALLOY DIE-CAST	NICKEL 2
-	-	-
-	-	-

Issue : 0626 F

In the effort to improve our products, we reserve the right to make changes judged to be necessary.



STRAIGHT PLUG CRIMP TYPE

CABLE 6/75+93

R142.085.161

Series : **BNC 75-COM**

PACKAGING

Standard	Unit	Other
100	'W' option	Contact us

SPECIFICATION

ELECTRICAL CHARACTERISTICS

Impedance		75 Ω
Frequency		0-1.5 GHz
VSWR	NA +	0,0000 x F(GHz) Maxi
Insertion loss		NA √F(GHz) dB Maxi
RF leakage	- (NA - F(GHz)) dB Maxi
Voltage rating		500 Veff Maxi
Dielectric withstanding voltage		1500 Veff mini
Insulation resistance		5000 MΩ mini

CABLE ASSEMBLY

Stripping	a	b	c	d	e	f
mm	4,00	8,50	15,0	0,00	0,00	0,00

Assembly instruction : **Crimp 02**

Recommended cable(s)
KX 6A
RG 59

-
Characteristics indicated on this data sheet are those that can be achieved with the highest performance cable. Intrinsic limitations of the cable may diminish the performance of the assembly

Cable retention

- pull off **136** N mini
- torque **NA** N.cm

MECHANICAL CHARACTERISTICS

Center contact retention		
Axial force – Mating end	10	N mini
Axial force – Opposite end	10	N mini
Torque	NA	N.cm mini

TOOLING

Part Number	Description	Hexagon
.	.	.
R282.223.000	CRIMPING TOOL	1.73 - 6.48
R282.293.000	CRIMPING TOOL	-
R282.235.013	CRIMPING DIES	1.73 - 6.48

Recommended torque		
Mating	NA	N.cm
Panel nut	NA	N.cm
Clamp nut	NA	N.cm
A/F clamp nut	0,0000	mm

Mating life	100	Cycles mini
Weight	9,4770	g

OTHER CHARACTERISTICS

-

ENVIRONMENTAL

Operating temperature	-35/+70	° C
Hermetic seal	NA	Atm.cm3/s
Panel leakage	NA	

Issue : **0626 F**

In the effort to improve our products, we reserve the right to make changes judged to be necessary.

