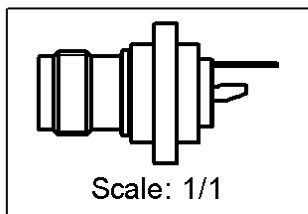
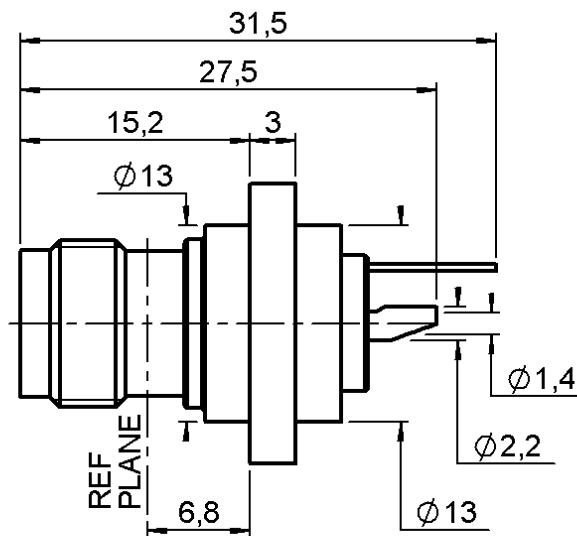
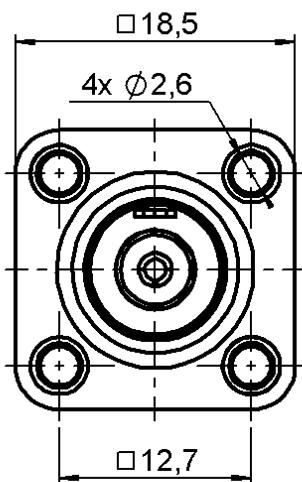


INSULATED SQUARE FLANGE JACK RECEPTACLE

R143.406.000

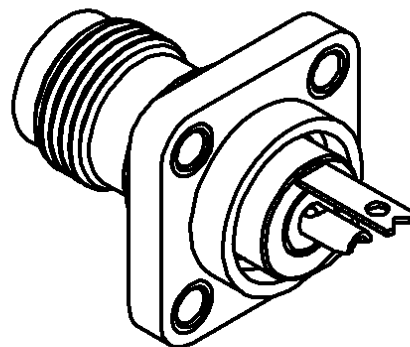
WITH SOLDER POT CONTACT

Series : TNC



PANEL CUT OUT

	mm	
	Maxi	mini
A	13.4	13.3
B	2.7	2.6
C	12.75	12.65



All dimensions are in mm.

COMPONENTS	MATERIALS	PLATING
BODY	BRASS	NICKEL 2 µm
CENTRE CONTACT	BERYLLIUM COPPER	GOLD 0.5 OVER NICKEL 2 µm
OUTER CONTACT	-	- µm
INSULATOR	PTFE	
GASKET	-	
OTHERS PARTS	BRASS	NICKEL 2 µm
-	-	-
-	-	-



Edition : 9845 E

Design changes may be in order to improve the product.

INSULATED SQUARE FLANGE JACK RECEPTACLE

R143.406.000

WITH SOLDER POT CONTACT

Series : TNC

ELECTRICAL CHARACTERISTICS

Impedance		50 Ω
Frequency		0-11 GHz
VSWR	1.06* +	0.006 x F(GHz) Maxi
Insertion loss	.025*	√F(GHz) dB Maxi
RF leakage	- (57 - F(GHz)) dB mini
Operating temperature		-65/+165 ° C
Voltage rating		500 Veff Maxi
Dielectric withstanding voltage		1500 Veff mini
Insulation resistance		5000 MΩ mini

SPECIFICATION

ENVIRONMENTAL

Hermetic seal	NA Atm.cm3/s
Leakage – pressurised only	NA Mpa

OTHERS CHARACTERISTICS

Assembly instruction **NA**

Others :
* Coaxial Transmission Line Only

MECHANICAL CHARACTERISTICS

Centre contact retention		
Axial force – Mating end		18 N mini
Axial force – Opposite end		18 N mini
Torque		2.8 N.cm mini
Recommended torque		
Mating		NA N.cm
Panel nut		NA N.cm
Mating life		500 Cycles mini
Weight		0.000 g

