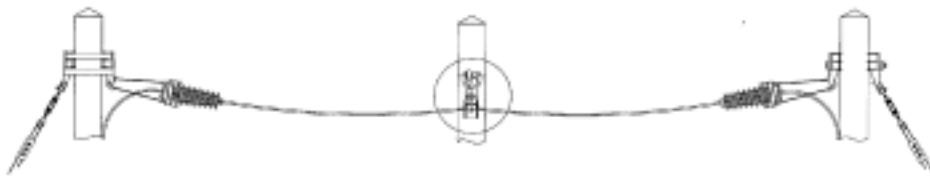


Product specification

Suspension clamp with neoprene insert J Hook Clamp JHC

A 4-1



ADSS cables



J Hook Clamp JHC

Field of use

Suspension of \varnothing 10 to 20 mm ADSS cables at intermediate poles on short spans (up to 150 m).

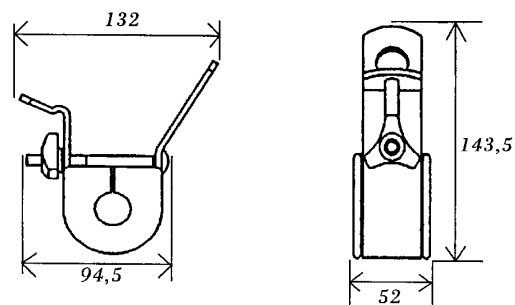
Securing is achieved on \varnothing 14 or 16 mm pigtail hooks.

Installation on straight cable routes or with angles of max. 25° . In case of more severe angles protect the cable installing two anchoring clamps.



Securing on pigtail hook

Dimensions



Installation

1. Hang the J hook suspension clamp to the pigtail hook (to be ordered separately).
2. Unscrew the wing nut and place the screw at the front of the J hook as shown.
3. Remove the rubber insert.
4. Place the ADSS cable in the rubber insert and put them back in the J hook suspension clamp.
5. Secure the rubber insert by hand tightening the wind nut.



Characteristics

Reference	Capacity	Body (1)	Material		Weight (kg)	Packaging
			Insert	Screw		
JHC1015	10 – 15 mm	Galvanised steel	UV protected neoprene	Protected steel	0.59	30 Units
JHC1520	15 – 20 mm				0.57	