

SIGNAMAX
CONNECTIVITY SYSTEMS
An AESP Company

CommandView

KVM SWITCH

FO-098-8020 2-Port

FO-098-8040 4-Port

FO-098-8060 6-Port

User's Manual

PREVENTING RADIO & TV INTERFERENCE

This equipment generates, uses, and can radiate radio frequency energy and if not installed and used in accordance with the instructions manual, may cause interference to radio communications. It has been tested and found to comply with the limits for a Class A computing device pursuant to Subpart J of Part 15 of FCC Rules, which are designed to provide reasonable protection against such interference when operated in a commercial environment. Operation of this equipment in a residential area is likely to cause interference in which case the user at his own expense will be required to take whatever measures may be required to correct the interference.

LIMITED WARRANTY

IN NO EVENT SHALL THE DIRECT VENDOR'S LIABILITY EXCEED THE PRICE PAID FOR THE PRODUCT FROM DIRECT, INDIRECT, SPECIAL, INCIDENTAL OR CONSEQUENTIAL DAMAGES RESULTING FROM THE USE OF THE PRODUCT OR ITS DOCUMENTATION.

TABLE OF CONTENTS

Chapter 1:INTRODUCTION1

<i>General Information</i>	1
<i>Features</i>	2
<i>Package Contents</i>	3
<i>Specifications</i>	4
<i>Connectors and Cables</i>	5
<i>Front & Rear Panel Description</i>	7

Chapter 2:INSTALLATION.....8

<i>Operating Environment</i>	8
<i>Connecting The Peripherals</i>	8
<i>Connecting The PCs</i>	10
<i>Setting Automatic Scan Interval</i>	11
<i>Connecting Power Adapter</i>	12
<i>Turn On The Power</i>	12

Chapter 3:OPERATION13

<i>Keyboard Hot Keys</i>	13
<i>Front-Panel Push Buttons</i>	15

Chapter 4:LEDS and BUZZER16

Chapter 5:TROUBLE SHOOTING17

APPENDIX A: Ordering Information21

APPENDIX B: Contact Information23

Signamax Connectivity Systems™
an AESP Company

All rights reserved. All brand names are registered
trademarks of their relative holders.

INTRODUCTION

General Information

Congratulations on your purchase of a Signamax CommandView™ 2-port/4-port/6-port KVM Switch. The Signamax CommandView™ KVM Switch is an electronic keyboard/video/mouse (KVM) switch that controls from 2 to 6 PCs from a single keyboard, monitor, and mouse. This KVM Switch can save you money by eliminating redundant peripherals and provides centralized control of multiple PCs. With a small investment in the Signamax KVM Switch you can preserve previous office space, cut energy & extra peripheral costs, and increase productivity.

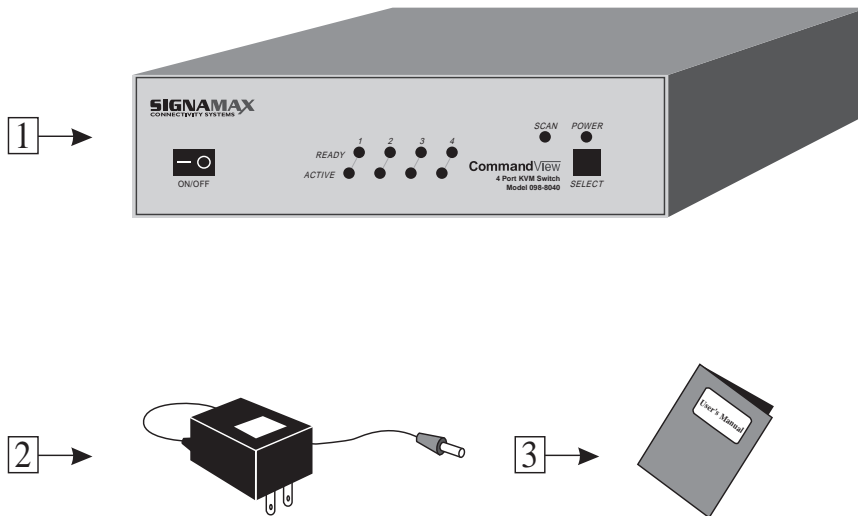
The Signamax CommandView™ KVM Switch features intelligent Mouse and keyboard emulation to ensure successful PC Boot up and flawless operation with the Microsoft Intellimouse. The user can select different PCs by using Keyboard HotKeys, front-panel push buttons, or letting the KVM Switch do an automatic scan. The 4-port Product No. 098-8040 supports mouse translation, which allows a single PS/2 mouse to control the PC's serial or PS/2 mouse.

Features

- ◇ Easy Installation -- A truly plug and play device. Complete installation within minutes with Signamax™ Hydra cables.
- ◇ Smooth Control -- User can select any PC by keyboard Hot Keys or the device's push button.
- ◇ Flawless Booting - Individual keyboard and mouse emulation to every PC.
- ◇ Intelligent Keyboard Emulation - - Keyboard LED Status and typematic rate are recorded and restored While switching among PCs.
- ◇ Mouse Translation - Allows a single PS/2 mouse to Control both serial and PS/2 mouse ports (Product No.098-8040 only)
- ◇ Intellimouse Support - All three models provide Microsoft PS/2 Intellimouse emulation to ensure proper wheel mouse function.
- ◇ Wide Video Bandwidth - Supports high resolution Monitors up to 1920 x 1440.
- ◇ Rackmountable - Product no 098-8010 19" Rackmount Kit is available for the 4- and 6-port models. See your dealer for details.

Package Contents

- 1: One 2-, 4- or 6-port KVM SWITCH
- 2: One external power adapter
- 3: One user's manual



Specification

Model	098-8020	098-8040	098-8060
Number of PC Port	2	4	6
PC Selection Method			
Push Button	Yes	Yes	Yes
Hot Keys	Yes	Yes	Yes
Automatic Scan	Yes	Yes	Yes
Maximum Resolution	1920x1440	1920x1440	1920x1440
Console Connectors			
Keyboard (AT)	1 DIN-5/F	1 DIN-5/F	0
Keyboard (PS/2)	0	1 Mini-DIN6/F	1 Mini-DIN6/F
Mouse (AT)	1 DB9/M	1 DB9/M	0
Mouse (PS/2)	1 Mini-DIN6/F	1 Mini-DIN6/F	1 Mini-DIN6/F
VGA Monitor	1 HDB 15/F	1 HDB 15/F	1 HDB 15/F
PC Port Connectors			
Keyboard (AT)	2 DIN-5/F	4 DIN-5/F	0
Keyboard (PS/2)	0	4 Mini-DIN6/F	6 Mini-DIN6/F
Mouse (AT)	2 DB9/M	4 DB9/M	0
Mouse (PS/2)	2 Mini-DIN6/F	4 Mini-DIN6/F	6 Mini-DIN6/F
Monitor	2 HDB 15/F	4 HDB 15/F	6 HDB 15/F
Ready LED	2	4	6
Active LED	2	4	6
SCAN LED	1	1	1
POWER LED	1	1	1
Scan Interval Time	5/10/20/40 Sec	5/10/20/40 Sec	5/10/20/40 Sec
Max. Cable Length			
Keyboard (both)	100 feet	100 feet	100 feet
Mouse (PS/2)	100 feet	100 feet	100 feet
Mouse (AT)	500 feet	500 feet	500 feet
Monitor	200 feet	200 feet	200 feet
Power	AC 9V 500mA	AC 9V 500mA	AC 9V 500mA
Weight	4.3 lbs.	5.3 lbs.	5.3 lbs.
Dimension	9.9x5.9x2.1 in.	10.4x5.9x3 in.	10.4x5.9x3 in.
Operating Environment	32-131°F(0-55°C),0%-90% RH		
Emission	FCC Class A & CE Mark		

Connectors and Cables

Console Connectors

Three different types of console connectors are built on the rear panel for connection to the keyboard, monitor, and mouse.

- PS/2 Keyboard -- 6-pin mini DIN, female.
- AT Keyboard -- 5-pin DIN, female.
- PS/2 Mouse -- 6-pin mini DIN, female.
- AT Mouse -- HDB9, male.
- VGA Monitor -- HDB15, female.

PC Port Connectors

Two (098-8020), four (098-8040) or six (098-8060) groups of connectors are built on the rear panel for connection to PCs using standard keyboard, monitor and mouse cables. Please refer to the "Specification" in page 4 for detail of each model's PC port connectors.

Signamax™ Hydra Cables

Signamax™ Hydra Cables (optional) of different lengths are available for connection between the peripherals and the KVM Switch, as well as for use between the KVM Switch's PC ports and the computer's peripheral connectors. The model C-65T Signamax™ Hydra cable extends the Keyboard/Monitor/Mouse connection to the KVM switch. Its single zip cable avoids the typical unsightly snarl and tangle of multiple cables.

Its gold-plated connectors with labeled, color-coded connector molds ensure secure, easy, high-quality connections. It also features a ferrite core for the highest possible video quality. Model C-69T connects the Keyboard/Monitor/Mouse outputs from the KVM Switch to each CPU. The single zip cable for each set of the Keyboard/Monitor/Mouse connections avoids annoying multiple cable snarl; its ferrite core and gold-plated connectors with labeled, color-coded connector molds avoids cable-related data errors.

Signamax™ Hydra Cables, C-65T- (6 or 10 foot lengths) for use between peripherals and the KVM Switch:

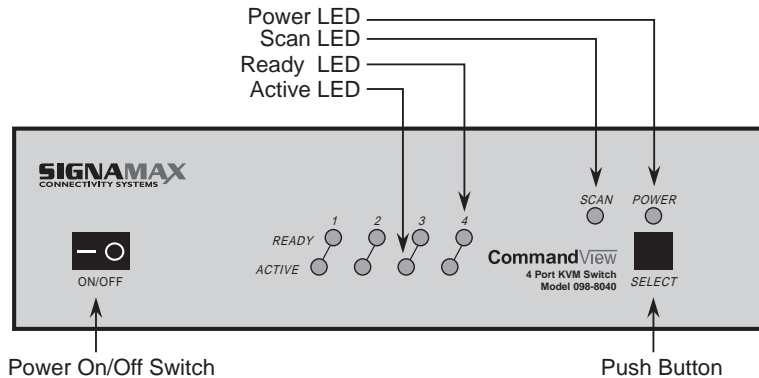
- Keyboard - 6-pin Mini-DIN, male-to-female
- Mouse - 6-pin Mini-DIN, male-to-female
- Monitor - HDB15, male-to-female

Signamax™ Hydra Cables, C-65T- (6,10,20 or 30 feet lengths) for use between KVM Switch and CPUs:

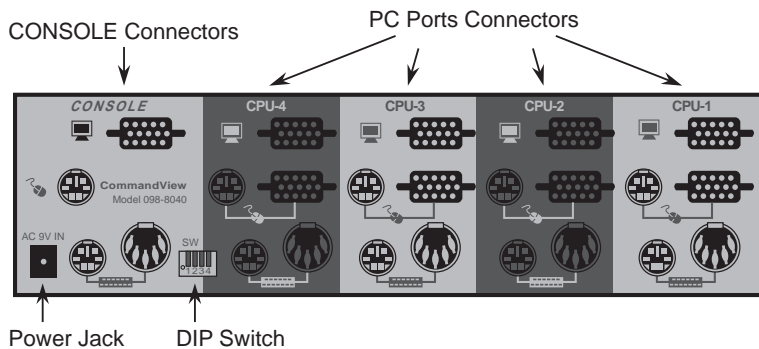
- Keyboard - 6-pin Mini-DIN, male-to-male
- Mouse - 6-pin Mini-DIN, male-to-male
- Monitor - HDB15, male-to-female

Front & Rear Panel Description

Front Panel



Front Panel



Note: Above panel description uses the 4-port model 098-8040 as an example different models will have different types and different numbers of connectors but the layout is similar. Please refer to the section "Specification" in page 4 for detail. And Rear Panel Description

2

INSTALLATION

Operating environment

The Signamax CommandView™ KVM Switch must be installed and operated within the limits of the specified operation temperatures and humidity (see previous section under Specifications). Do not place objects on top of the unit. Do not obstruct any vents at the sides of the unit. Do not position the unit near any heating source such as a heater, radiator, or direct exposure to the sun. Prevent entry of water and moisture into the unit. If necessary, use a dehumidifier to reduce humidity.

Connecting The Peripherals

Keyboard-- Connect one PS/2 or AT Keyboard to the console Keyboard connector located on the rear panel of the unit. Some models may have only an AT or PS/2 type connector. You may use an adapter to convert the keyboard connector.

***Warning:** For model 098-8040 (4-port) , only one keyboard (PS/2 or AT) can be connected to the console port although both types of keyboard connectors are supported.*

Mouse-- Connect the PS/2 or AT mouse to the PS/2 console mouse connector located on the Rear panel of the unit.

Warning: Do not use any serial to PS/2 or PS/2 to serial mouse adapter to connect to the mouse-to-console mouse port

Warning: Model 098-8040 (4-port) supports mouse translation; therefore, only one PS/2 mouse or combo mouse (supports both PS/2 and serial mouse) needs to be used to control both PC's PS/2 and AT mouse ports.

Warning: Model 098-8020 (2-port) does not support mouse translation; therefore, you must use a PS/2 mouse to control the PC's PS/2 port or use an AT mouse to control the PC's AT mouse port. You may connect both PS/2 and AT mice to the 098-8020 simultaneously.

Monitor-- Connect monitor to the console monitor connector located on the rear panel of the unit. Use only a high resolution shielded monitor cable to ensure quality video output. The Signamax™ Hydra Cable is highly recommended.

Warning: Model 098-8020 (2-port) does not support mouse translation; therefore, you must use PS/2 mouse to control PC's PS/2 port or use AT mouse to control PC's AT mouse port. You may connect both PS/2 and AT mice to the 098-8020

Monitor-- Connect monitor to console monitor connector located on the rear panel of the unit. Use only high resolution shielded monitor cable to ensure quality video output.

Connecting The PCs

You may use any standard cable or the Signamax™ Hydra cables from Signamax CommandView™ to connect the KVM Switch and the PCs. Make sure the cable connectors match the genders as stated below:

PS/2 mouse cable: male to male, mini-DIN6

PS/2 KEYBOARD cable: male to male, mini-DIN6

AT mouse cable: female to male, DB9

AT keyboard cable: male to male, DIN5

Monitor: male to female, HDB15

Warning: For monitor cable, Use only UL2919 compliant cable to ensure the proper video signal quality.

It is strongly recommended that you use the high quality Signamax™ Hydra cables from Signamax CommandView™ to expedite the installation and ensure the best connections. Please refer to "Connectors and Cables" on page 5 for further information.

Connect one end of each of the three cables (keyboard, mouse and monitor cable) to the KVM Switch's PC ports and the other end to the PC. Make sure all the cables are firmly plugged in and secured.

Follow this procedure to connect all the PCs to the KVM Switch.

Warning: Do not connect cables to both PC's AT and PS/2 keyboard ports or both PC's serial and PS/2 mouse ports.

Setting Automatic Scan Interval

When the KVM Switch is set to Automatic Scan operation mode (refer to Chapter 3 "Operation" for detail) , it will automatically scan all connected PCs at a preset time interval. This scan time interval is set by the DIP switches on the rear panel as illustrated in Table 2-1.

DIP SWITCH NUMBER		
Scan Interval	1	2
5 Seconds	On	On
10 Seconds	Off	On
25 Seconds	On	Off
40 Seconds	Off	Off

Table 2-1 Setting Scan Interval

The factory default setting is 5 seconds. DIP Switch number 3 and 4 are reserved for future use and must be set to the ON position, which is the factory default setting.

Warning: Do not change the scan interval setting during KVM Switch operation. Always shut down and power off all the connected PCs and the KVM Switch, and then change the setting.

Connecting Power Adapter

Remove the AC power adapter from the package. Read the input voltage specification from the power adapter and make sure it matches your local AC power voltage.

Connect the AC power adapter to the unit. Plug the AC power adapter into your power outlet.

***CAUTION:** plugging the AC power adapter to a power outlet with different voltage may cause personal injuries and damage to the power adapter.*

Turn on the Power

Turn the power on using the toggle switch on the front panel and the power LED will light up.

OPERATION

PC Selection Method

Three different PC selection methods are supported by the KVM Switch:

Keyboard Hot Keys-- Use pre-defined Hot Keys to directly select a PC.

Front Panel Push Button-- Switch PCs or activate the automatic scan mode by the push button on the front panel.

Automatic Scan-- Automatically scan all connected and powered-on PCs at a preset time interval.

***CAUTION:** Do not move the mouse or type on the keyboard before the KVM Switch completes the channel switching. Failure to do so may lock up your keyboard or mouse. See Chapter 5 "Trouble shooting" for further details.*

Keyboard Hot Keys

You can select a specific channel (PC) and activate the automatic scan mode using the keyboard Hot Keys. The keyboard Hot Keys provide an instant and convenient way to control all your PCs.

Hot Keys are entered by pressing the "CTRL", "ALT" and "SHIFT" keys simultaneously, then releasing all, followed by a digit keystroke and ending with an "ENTER" keystroke.

1. To select a channel (PC)directly:

CTRL+ALT+SHIFT → channel# → <ENTER>

The "#" represents the channel number from 1 to 2 or 4 (4-port model) or 6 (6-port model). The built-in buzzer will beep once to confirm the channel switching. The ACTIVE LED will switch and identify which channel is currently under control.

2. To activate Automatic Scan mode:

CTRL+ALT+SHIFT → 0 → <ENTER>

The built-in buzzer will beep twice to confirm the activation. The SCAN LED will be lit to indicate the operation of SCAN mode.

3. To deactivate Automatic Scan mode:

Press Space bar key or push SELECT button.

The built-in buzzer will beep twice to confirm the deactivation. The SCAN LED will be turned off to indicate the end of SCAN mode.

Front-Panel Push Buttons

1. To select a channel(PC):

Push the SELECT button (and release within one second) to select next channel and repeat until desired channel is selected. The built-in buzzer will beep once to confirm each channel switching. The ACTIVE LED will switch and identify which channel is currently under control.

2. To activate Automatic Scan mode :

Push the SELECT button and hold for more than one second to activate the Scan mode.

The built-in buzzer will beep twice to confirm the activation. The SCAN LED will be lit to indicate the operation of SCAN mode.

3. To deactivate Automatic Scan mode :

Press Space Bar key or push SELECT button.

The built-in buzzer will beep twice to confirm the deactivation. The SCAN LED will be turned off to indicate the end of SCAN mode.

4

LEDS & BUZZER**LEDS**

All the KVM Switch LEDs are located in the front panel. Please refer to the section of "Front & Real Panel Description: under Chapter 1 :Introduction" for the detailed location of each LED.

Ready LED : When a PC is properly connected to the KVM Switch and the PC is powered on, the Ready LED corresponding to that PC will be lit.

Active LED : Indicates the currently selected PC. Only one Active LED will be lit although more than one computer is connected.

Scan LED : LED is lit when the KVM Switch is operating in the automatic scan mode.

Power LED : LED is lit when the KVM Switch is operating on.

BUZZER

A buzzer is built inside the unit to provider audio confirmation of channel switching and activation / deactivation of the automatic scan mode.

TROUBLE SHOOTING

1. Power LED is not lit

- Check if the power adapter is properly connected to the power outlet and the KVM Switch. Make sure the power switch on the unit is turned ON.

2. No screen display after the PC is powered on or after switching channel

- Press the SELECT button to switch to a port with a PC connected.
- Make sure the cables are firmly plugged into the console connector.
- Make sure the monitor is firmly plugged into the PC port connectors.
- Try a different video resolution by adjusting the setting of the display controller card from the Windows control panel.

3. Lost mouse control

- Do not move the mouse during switching. The KVM Switch can not switch the mouse control when it is still receiving the mouse's signals.
- Make sure the mouse is firmly plugged into the console connector.

- Make sure the cable is firmly plugged into the PC port connector and the PC.
- Do not use AT to PS/2 or PS/2 to AT mouse adapters.
- Do not unplug and plug the mouse without shutting down your PC first.
- For model 098-8040 which supports mouse translation, connect only a PS/2 mouse to the console.
- For model 098-8020 which DOES NOT support mouse translation, only, a PS/2 mouse connected to console port will control the PC's PS/2 mouse port and an AT mouse connected to console port will control the PC's AT mouse port. You must connect both PS/2 and AT mice to the console ports if you plan to control one PC's PS/2 mouse port and the other PC's AT mouse port. Do not connect both PC's mouse ports to a single CPU, even though your PC may support both.

4. Lost keyboard control

- Do not type any key on the keyboard before the channel is completely switched to the new channel as indicated by the change of the display screen.
- Make sure the cables is firmly plugged into the console connector.
- Make sure the cables is firmly plugged into the PC port connectors.
- Make sure the unit is not in automatic scan mode.
- Try to switch to another channel and switch back.

- For model 098-8040, do not connect both AT and PS/2 keyboard to the console keyboard connectors.

5. Wheel mouse does not function properly

- Make sure you have loaded the wheel mouse driver.
- The KVM Switch supports only the Microsoft PS/2 Intellimouse driver.

6. Push button does not function properly

- Do not hold the button for more than one second if you are switching channels.
- Hold the button longer than one second if you want to activate the Scan mode.
- Push the center of the button to ensure accurate switching.

7. Mouse and keyboard do not respond instantly after channel switching

- Do not move the mouse or type on the keyboard before the KVM Switch completes the channel switching. If the KVM Switch detects mouse or keyboard signals input from the current channel before the Switching is complete, it will delay the channel switching until there is no more signal input. When this occurs, you will feel a slight delay in the response of the mouse pointer or keyboard. Stop moving the mouse or typing on the keyboard, and the KVM Switch will complete the switching immediately.

8. Unable to switch channel

- If you are using Hot Keys, make sure "CTRL", "ALT" and "SHIFT" keys are pressed simultaneously and follow with a valid digit number and "Enter"
- If you are using the push button, make sure you push the center of the button to accurately initiate the switching.
- For model 098-8020, do not move the mouse or type on the keyboard before the KVM Switch completes the channel switching. The monitor will not switch until no more mouse or keyboard signals are detected.

APPENDIX A

ORDERING INFORMATION

KVM Switches-- 2-Port

098-8020	CommandView™ 2-Port KVM Switch 110v AT& PS/2 Keyboard., Serial & PS/2 Mouse	--
098-8020i	CommandView™ 2-Port KVM Switch 220v AT& PS/2 Keyboard., Serial & PS/2 Mouse	--

KVM Switches - - 4-Port

098-8040	CommandView™ 4-Port KVM Switch 110v AT& PS/2 w/Mouse Conversion	--
098-8040i	CommandView™ 4-Port KVM Switch 220v AT& PS/2 w/Mouse Conversion	--

098-8060	CommandView™ 6-Port KVM Switch 110v PS/2 Keyboard & Mouse Only	--
098-8060i	CommandView™ 6-Port KVM Switch 220v PS/2 Keyboard & Mouse Only	--

KVM Switches-- 8-Port

098-8080	CommandView™ 8-Port KVM Switch 110v AT & PS/2 ; Rackmountable	--
098-8080i	CommandView™ 8-Port KVM Switch 220v AT & PS/2 ; Rackmountable	--

KVM Switches-- Accessories

098-8010	CommandView™ Rackmount Kit - - 4& 6-Port Models
----------	---

KVM Switches-- Accessories Cables (For Signamax CommandView™, ATEN, Belden, Edimax, Protec, and Others):

C-65-T-6	Signamax™ Hydra Cable (Keyboard, Video, & Mouse to KVM Switch) - - 6 ft.
C-65-T-10	Signamax™ Hydra Cable (Keyboard, Video, & Mouse to KVM Switch) - - 10 ft.
C-69-T-6	Signamax™ Hydra Cable (KVM Switch to CPU) -- 6 ft.
C-69-T-10	Signamax™ Hydra Cable (KVM Switch to CPU) -- 10 ft.
C-69-T-20	Signamax™ Hydra Cable (KVM Switch to CPU) -- 20 ft.
C-69-T-30	Signamax™ Hydra Cable (KVM Switch to CPU) -- 20 ft.

KVM Switches-- Adapters and Gender Changers

G292 T-1	AT(5-pin DIN female) to PS/2 (6-pin Mini-DIN male) Keyboard Adapter
----------	---

APPENDIX B

CONTACT INFORMATION

SIGNAMAX CONNECTIVITY SYSTEMS

An AESP Company

1810 N.E. 144th Street.

North Miami, Florida 33181, U.S.A.

Phone: 305-944-7710

Sales : 800-446-2377

Http:\\www.signamax.com

Fax: 305-652-8489

Tech.Support: 800-446-2377,ext. 201

E-mail: info@signamax.com

EUROPE

AESP Ukraine. (UKRAINE)

2 Timiryazevskaya St. 47

252014 Kiev, Ukraine

Phone: +380 44 296.53.57

Fax: +380 44 294.88.60

Http:\\www.aesp.com.ua

E-mail: aesp@aesp.com.ua

AESP Russia. (RUSSIA)

Kronshtadtsky Blv.

125499 Moscow, Russia

Phone:+7 095-456-0704

Phone:+7 095-456-0344

Fax:+7 095-454-3040

Http:\\www.aesp.ru

E-mail: aesp@aesp.ru

AESP Sweden. (SWEDEN)

Grevegatan 19-21 SE-815

40 TIERP. SWEDEN

Phone:+46-(0)-293-228 88

Fax:+46-(0)-293-228 89

Phone:+49-81-35-9303-0

Http:\\www.aesp.se

E-mail: info@aesp.se

AESP Germany GmbH (GERMANY)

Weisserfelderstr.2 D-85551

Kirchheim b. München, Germany

Phone:+49-89-901-097-0

Fax:+49-89-901-097-22

E-mail: aesp.info@t-online.de

JOTEC AESP AS. (NORWAY)

Telefon 23 14 17 00 Ordrefax 23

14 17 10 Karihaugveien 102

Postboks 50 Ellingsrudasen 1006

Oslo, Norway

Phone:+47-23-14-1700 Fax:+47-23-14-1710

Http:\\www.jotec.no E-mail: jotec@jotec.no