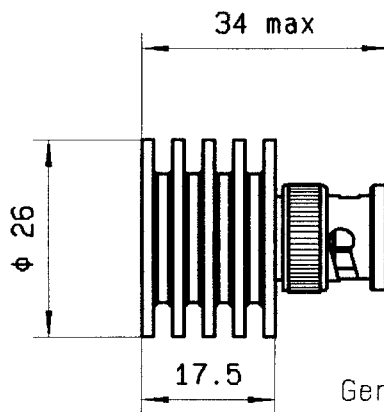


TITLE: 6 W 2GHZ BNC/m COAXIAL TERMINATION

LTR. B

DRAWING



General tolerances: +/- 0.5 mm

ELECTRICAL CHARACTERISTICS

FREQUENCY RANGE : DC - 2GHz
 IMPEDANCE : 50 Ohms
 DC RESISTANCE : 50 Ohms ± 5 %
 AVERAGE POWER HANDLING : 6 W at 75°C
 PEAK POWER HANDLING : 4 kW (1 μs, 1%.) at 25°C

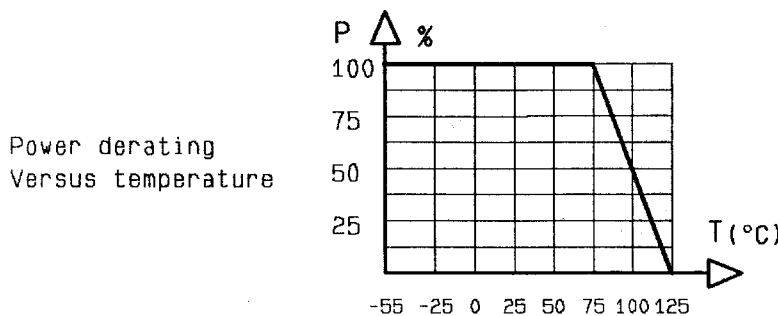
 V.S.W.R : DC - 2 GHz : <= 1.10

MECHANICAL CHARACTERISTICS

CONNECTOR : BNC male per MIL C 39012
 MAXIMUM WEIGHT : 26 grams

ENVIRONMENTAL CHARACTERISTICS

OPERATING TEMPERATURE RANGE (°C) : -55 , +125
 STORAGE TEMPERATURE RANGE (°C) : -55 , +125



Tentative data subject to change without notice

PEN CAT	QUALITY Dpt App.						
	<table border="1"> <tr><td>MO</td></tr> <tr><td>R</td></tr> </table>		MO	R	B	New format	22.10.92
MO							
R							
PAGE 1/1	DATE 25.11.83	NAME DP	A1	New format	20.03.89	KL	
			LTR	REVISIONS	DATE	APP.	