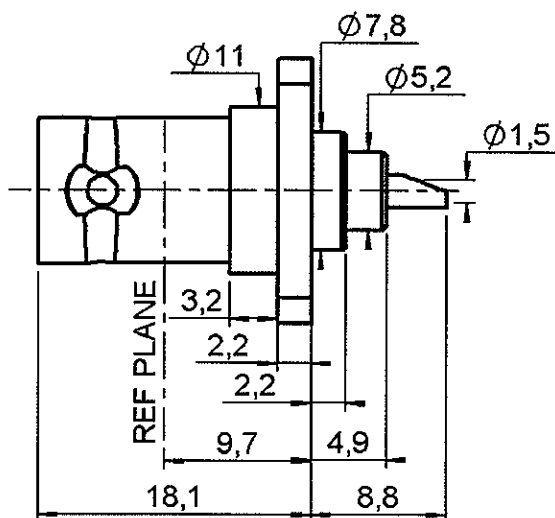
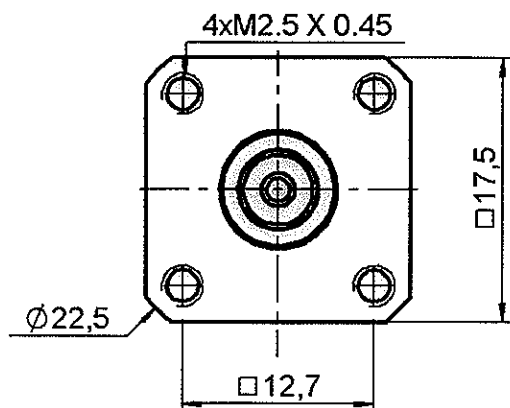


SQUARE FLANGE JACK RECEPTACLE

R141.404.180

WITH SOLDER POT CONTACT

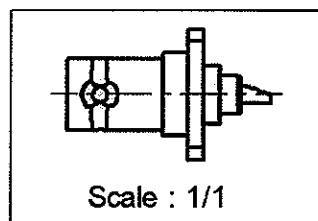
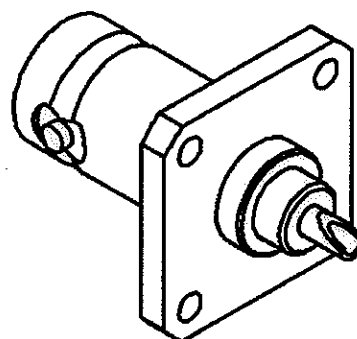
Series : BNC



PANEL CUT OUT

	mm	
	Maxi	mini
A (R. Mount)	11.3	11.2
A (F. Mount)	8	7.9
B	2.7	2.6
C	12.75	12.65

4 holes



/ All dimensions are in mm.

COMPONENTS	MATERIALS	PLATING
BODY	BRASS	SILVER 5 OVER COPPER 0.5 µm
CENTRE CONTACT	BERYLLIUM COPPER	GOLD 1.3 OVER NICKEL 2 µm
OUTER CONTACT	-	- µm
INSULATOR	PTFE	
GASKET	-	
OTHERS PARTS	-	- µm
.	.	.
.	.	.



Issue : 9913 E

Design changes may be in order to improve the product.

SQUARE FLANGE JACK RECEPTACLE

R141.404.180

WITH SOLDER POT CONTACT

Series : BNC

ELECTRICAL CHARACTERISTICS

Impedance **50 Ω**
 Frequency **0-4 GHz**
 VSWR **1.06* + 0.006 x F(GHz) Maxi**
 Insertion loss **.025* √F(GHz) dB**
 RF leakage **-(57 - F(GHz)) dB mini**
 Dielectric withstanding voltage **1500 Veff mini**
 Insulation resistance **5000 MΩ mini**

Stripping	a	b	c	d	e	f
mm	0.00	0.00	0.00	0.00	0.00	0.00

Assembly instruction : **NA**

Recommended cable(s)

MECHANICAL CHARACTERISTICS

Centre contact retention
 Axial force – Mating end **18 N mini**
 Axial force – Opposite end **18 N mini**
 Torque **2.8 N.cm mini**

Cable retention
 - pull off **NA N mini**
 - torque **NA N.cm**

TOOLING

Part Number	Description	Hexagon
.	.	.

Recommended torque
 Mating **NA N.cm**
 Panel nut **NA N.cm**
 Clamp nut **NA N.cm**
 A/F clamp nut **0.000 mm**

OTHERS CHARACTERISTICS

* Coaxial Transmission Line Only

Mating life **500 Cycles mini**
 Weight **10.000 g**

ENVIRONMENTAL

Operating temperature **-65/+165 °C**
 Leakage – pressurised only **NA Atm.cm3/s**
 Hermetic seal **NA Mpa**

SPECIFICATION



Issue : 9913 E

Design changes may be in order to improve the product.